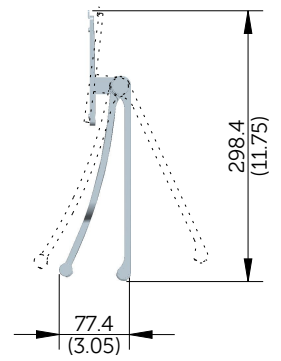
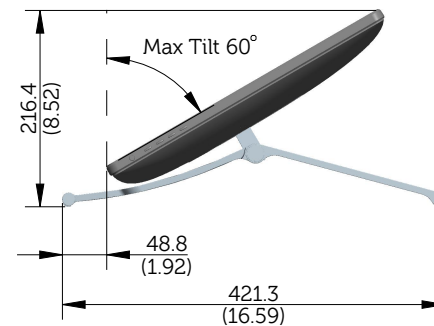
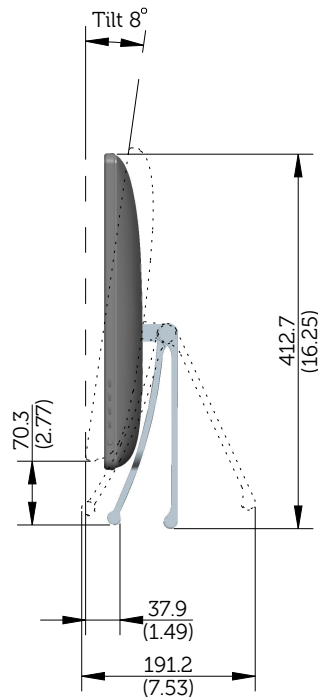
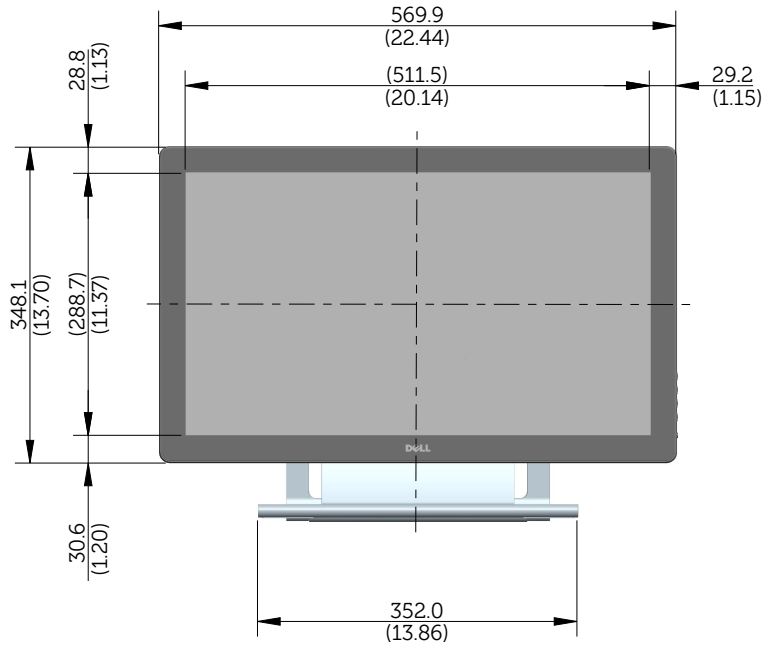
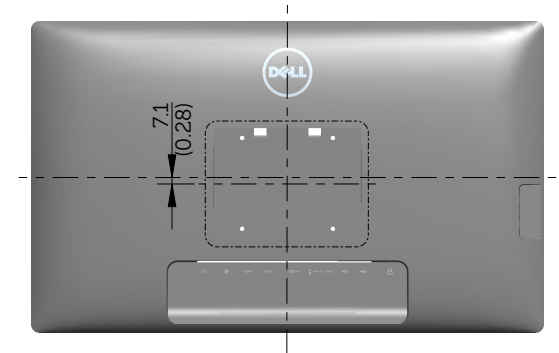
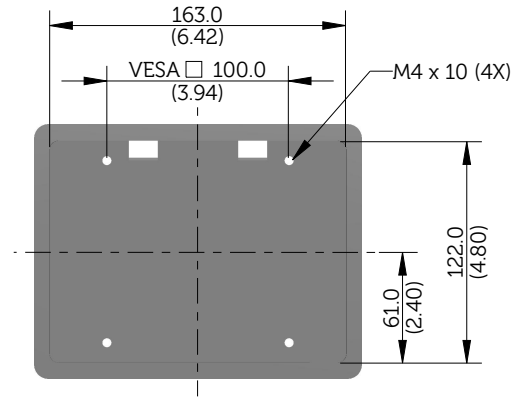
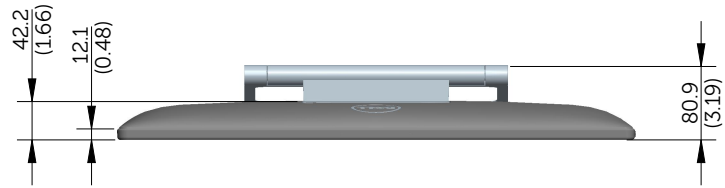


P2314T Outline Dimensions

Nominal Dimensions
Unit: mm(inch)



P2714T Outline Dimensions

Normal Dimensions
Unit:mm(inch)

